

C1091

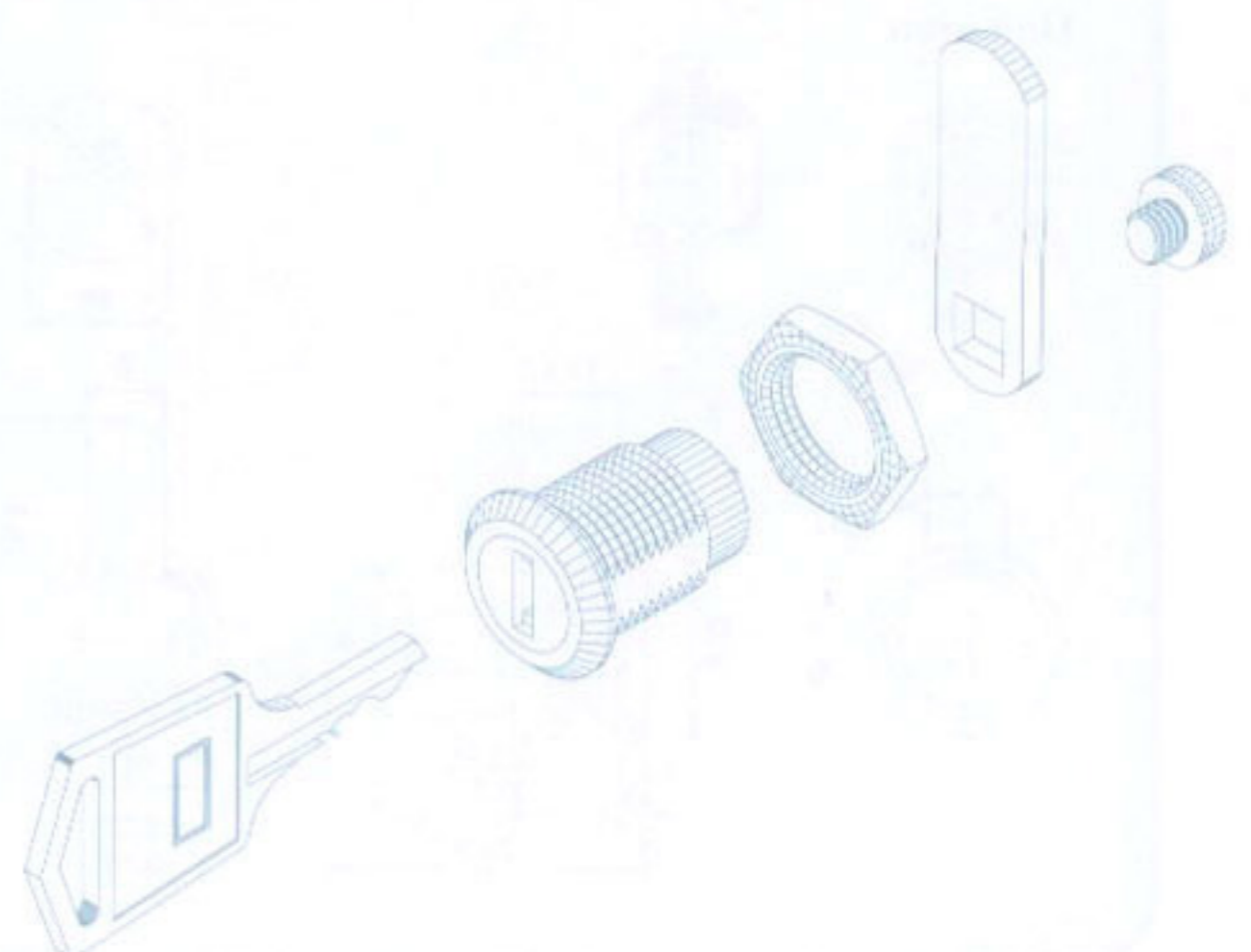
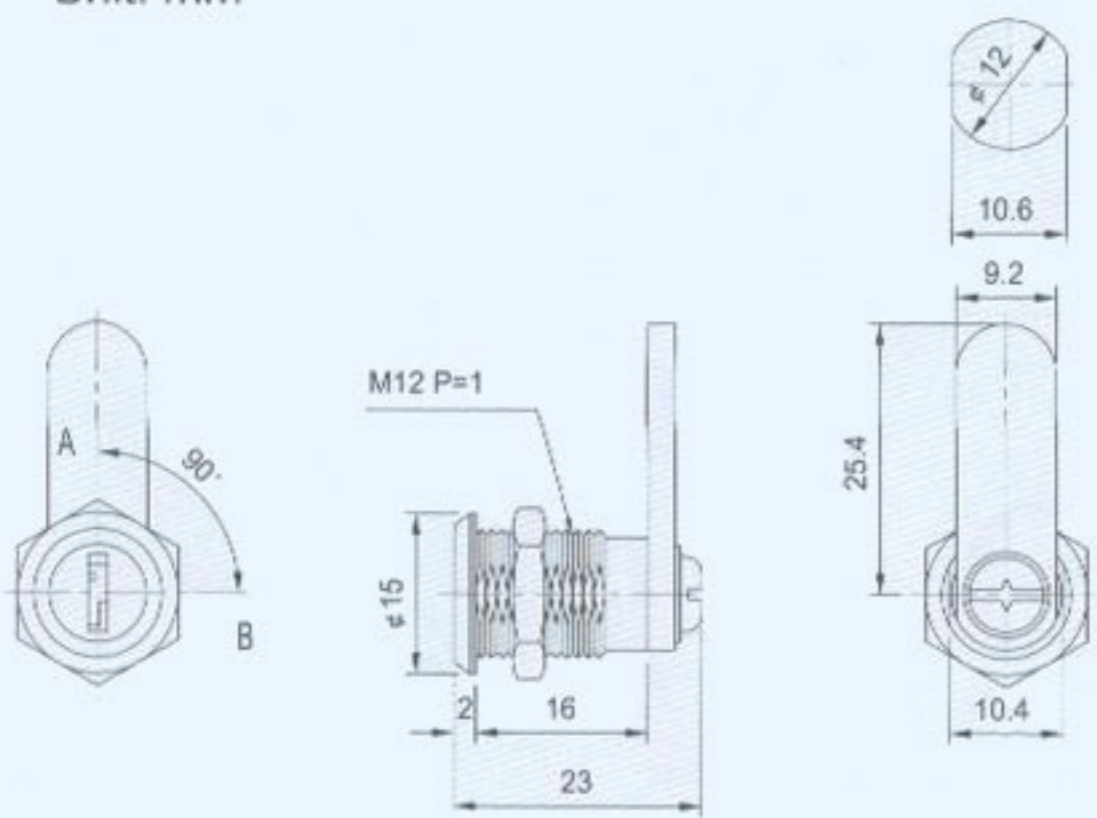


DESCRIPTION

- . Zinc alloy die cast housing and cylinder.
- . Bright chrome plated standard.
- . 4 disc tumbler mechanism.
- . Brass keys, nickel plated.
- . Key may be withdrawn in one or both positions..
- . Various cam configurations and rotations available.
- . Cam is affixed by screw.
- . Hex nut mounted.
- . All keyed alike or 14 combinations standard.
- . 14 combinations available.

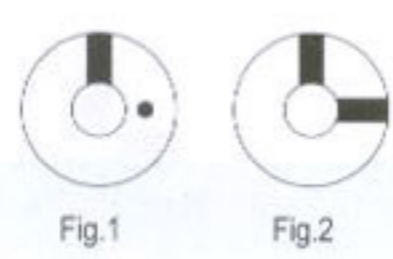
Unit: mm

Recommended hole size



■ -INDICATES KEY-PULL

● -INDICATES NO KEY-PULL



FigNo	LockNumber	Positions	KeyPulls	Turn
1	C1091-1	2	1	90°
2	C1091-2	2	2	90°

C1093

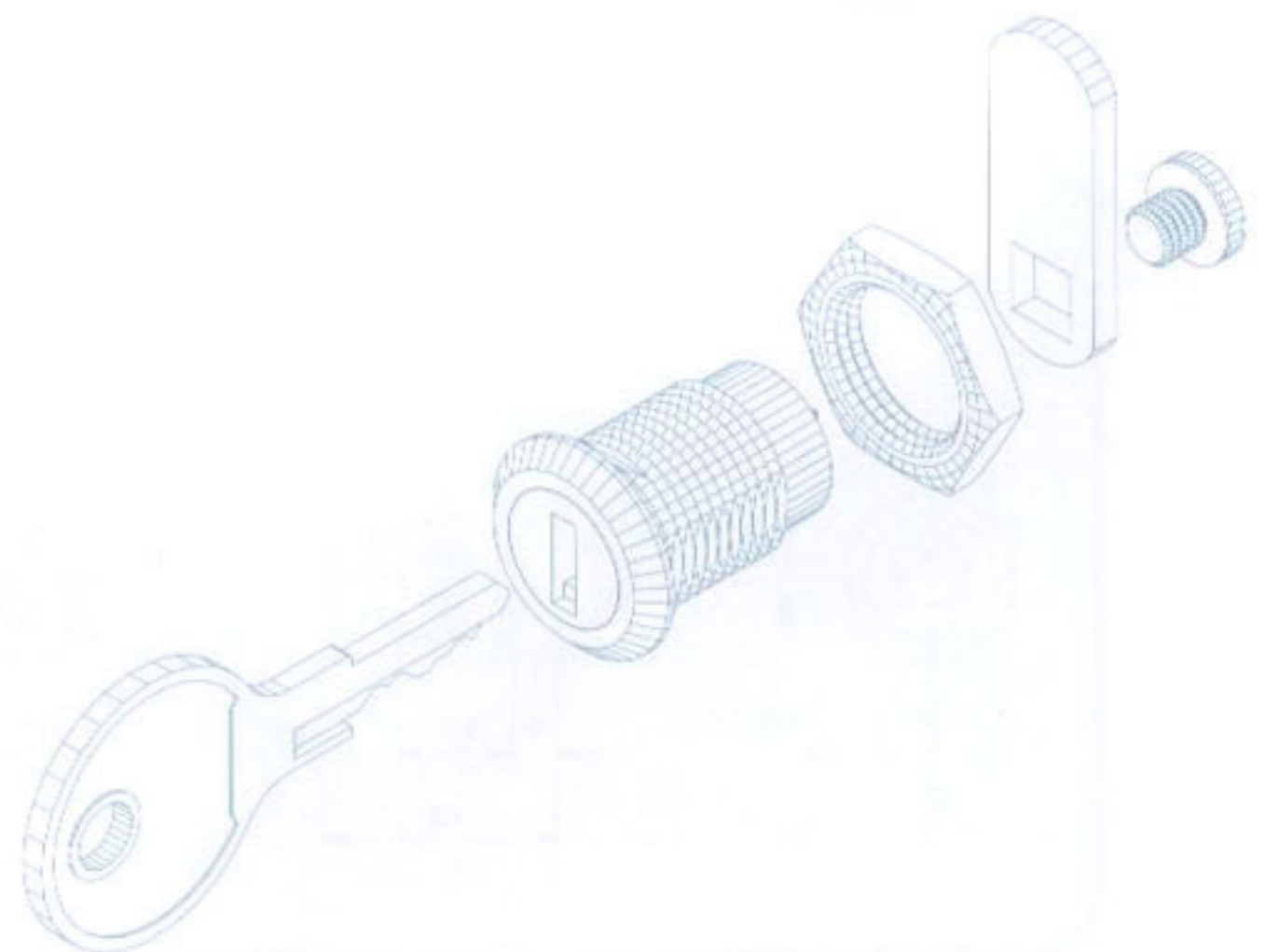
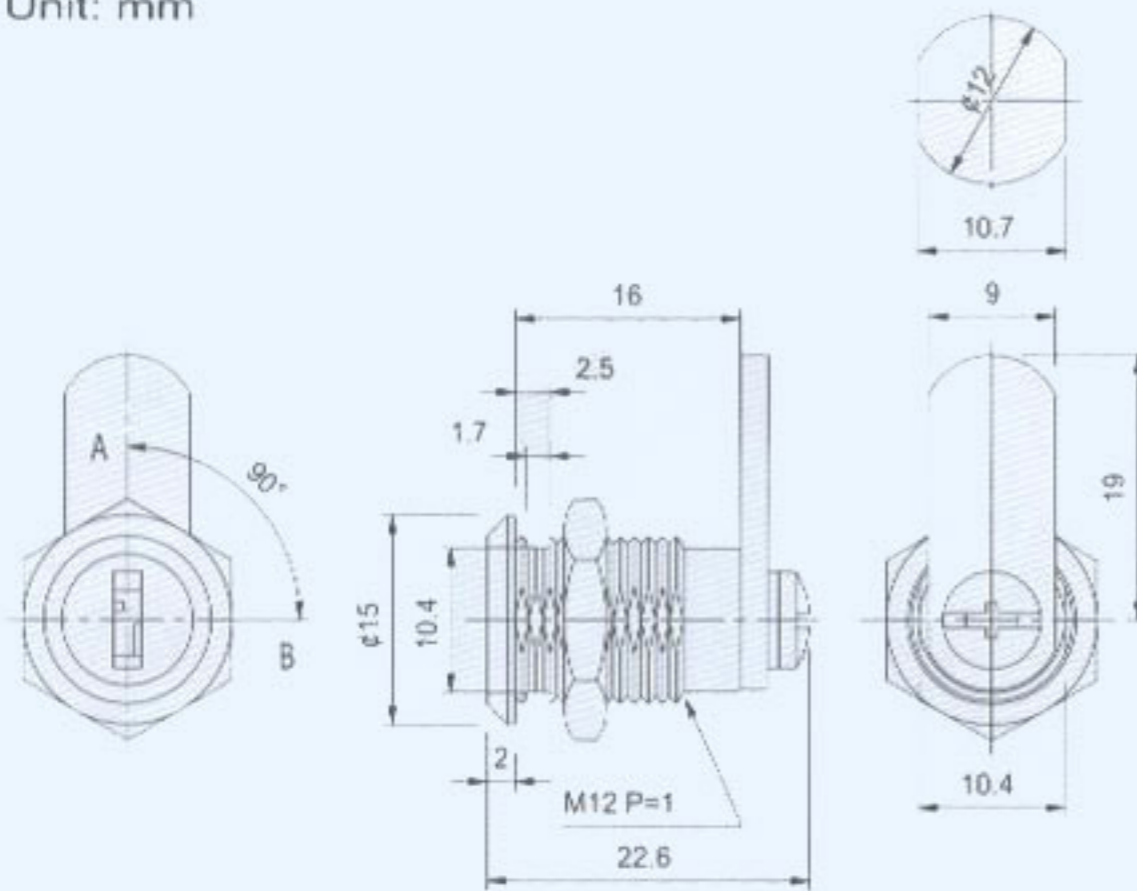


DESCRIPTION

- . Zinc alloy die cast housing and cylinder.
- . Bright chrome plated standard.
- . 5 disc tumbler mechanism.
- . Brass keys, nickel plated.
- . Key may be withdrawn in one or both positions..
- . Various cam configurations and rotations available.
- . Cam is affixed by screw.
- . Hex nut or speed clip mounted.
- . All keyed alike or one combination per 100pcs standard.
- . 30 combinations available.

Unit: mm

Recommended hole size



■ -INDICATES KEY-PULL

● -INDICATES NO KEY-PULL



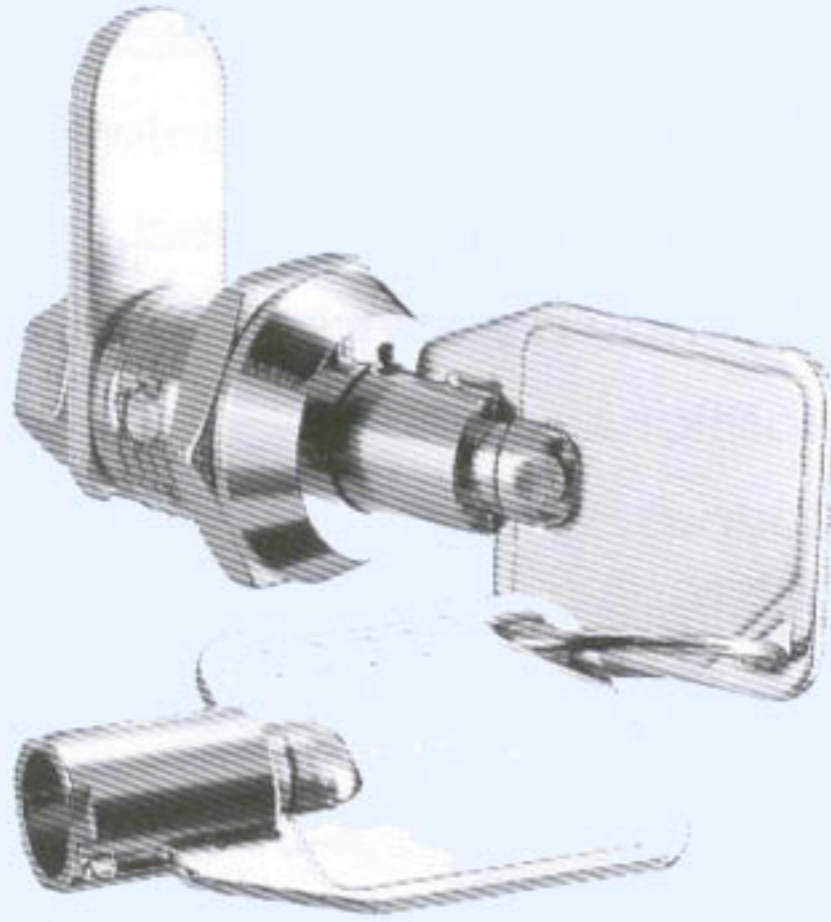
Fig.1



Fig.2

Fig No	Lock Number	Positions	Key Pulls	Turn
1	C1093-1	2	1	90°
2	C1093-2	2	2	90°

C520 series

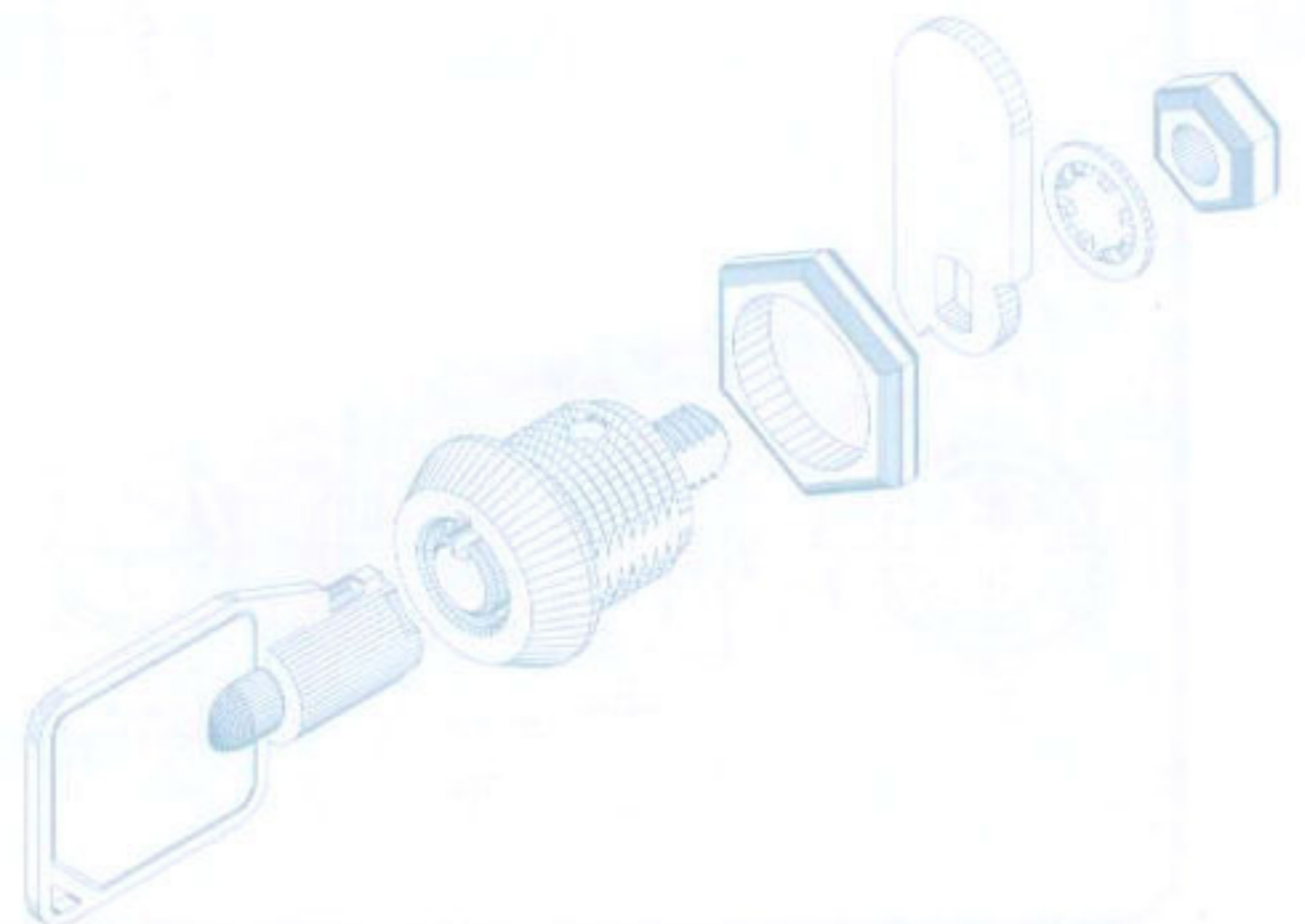
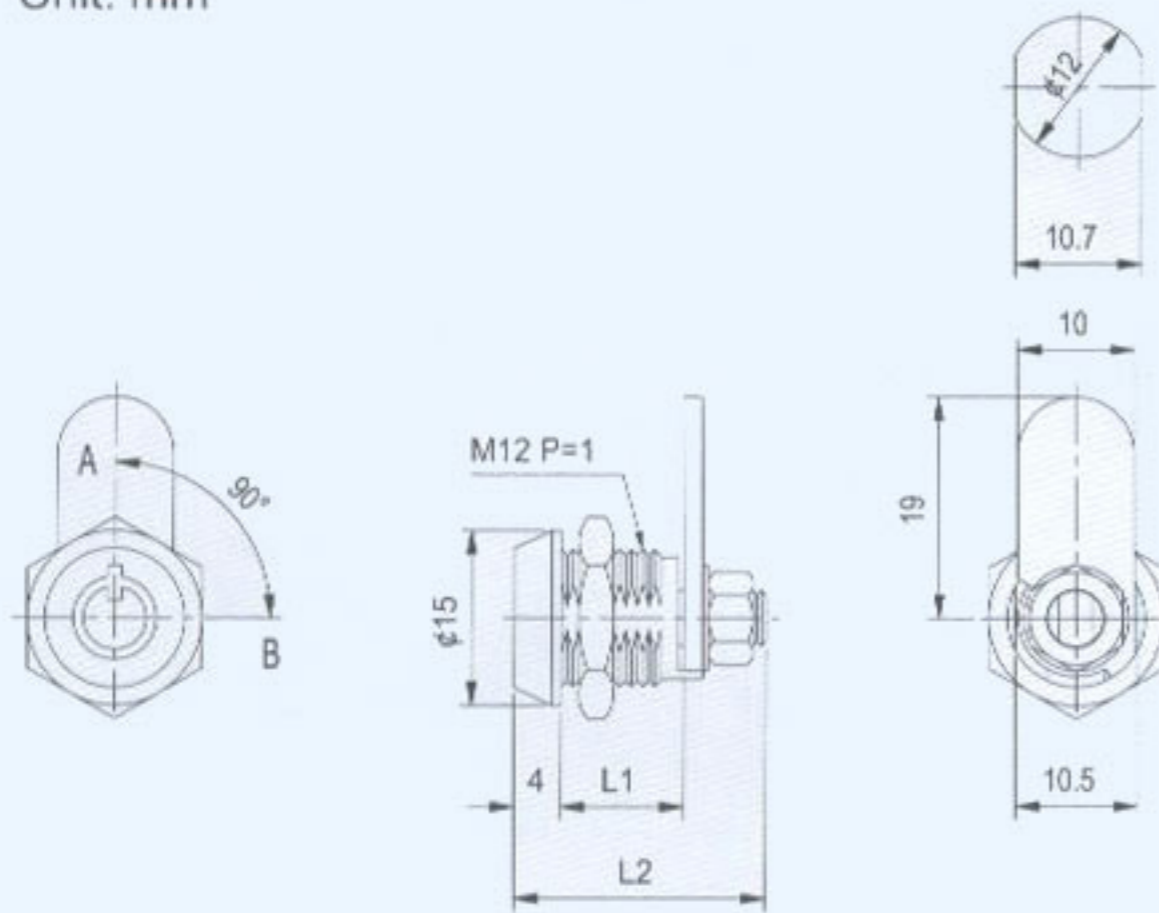


DESCRIPTION

- . C520ZS zinc alloy die cast housing and cylinder.
- . C520M and C520L brass housing and cylinder.
- . Bright chrome plated standard.
- . 4 pin tumbler mechanism.
- . Steel made tubular keys, nickel plated.
- . Key may be withdrawn in one or both positions.
- . 3 sizes available.
- . Various cam configurations and rotations available.
- . Cam is affixed by nut.
- . Hex nut mounted.
- . All keyed alike or one combination per 100pcs standard.
- . 100 combinations available.

Unit: mm

Recommended hole size



■ -INDICATES KEY-PULL

● -INDICATES NO KEY-PULL

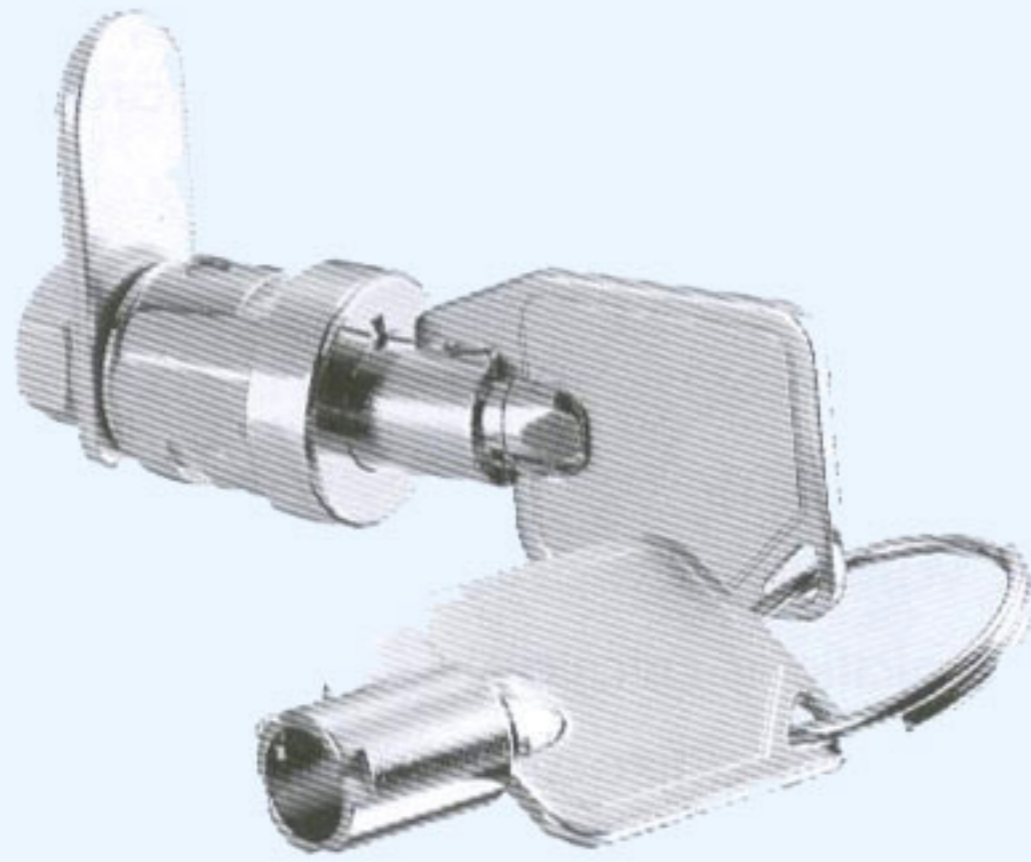


FigNo LockNumber Positions KeyPulls Turn

1	C520ZS-1	2	1	90°
1	C520M-1	2	1	90°
1	C520L-1	2	1	90°
2	C520ZS-2	2	2	90°
2	C520M-2	2	2	90°
2	C520L-2	2	2	90°

Sizes	L1	L2
ZS	10.5	21.1
M	13	23.6
L	16	26.6

C521ZSP

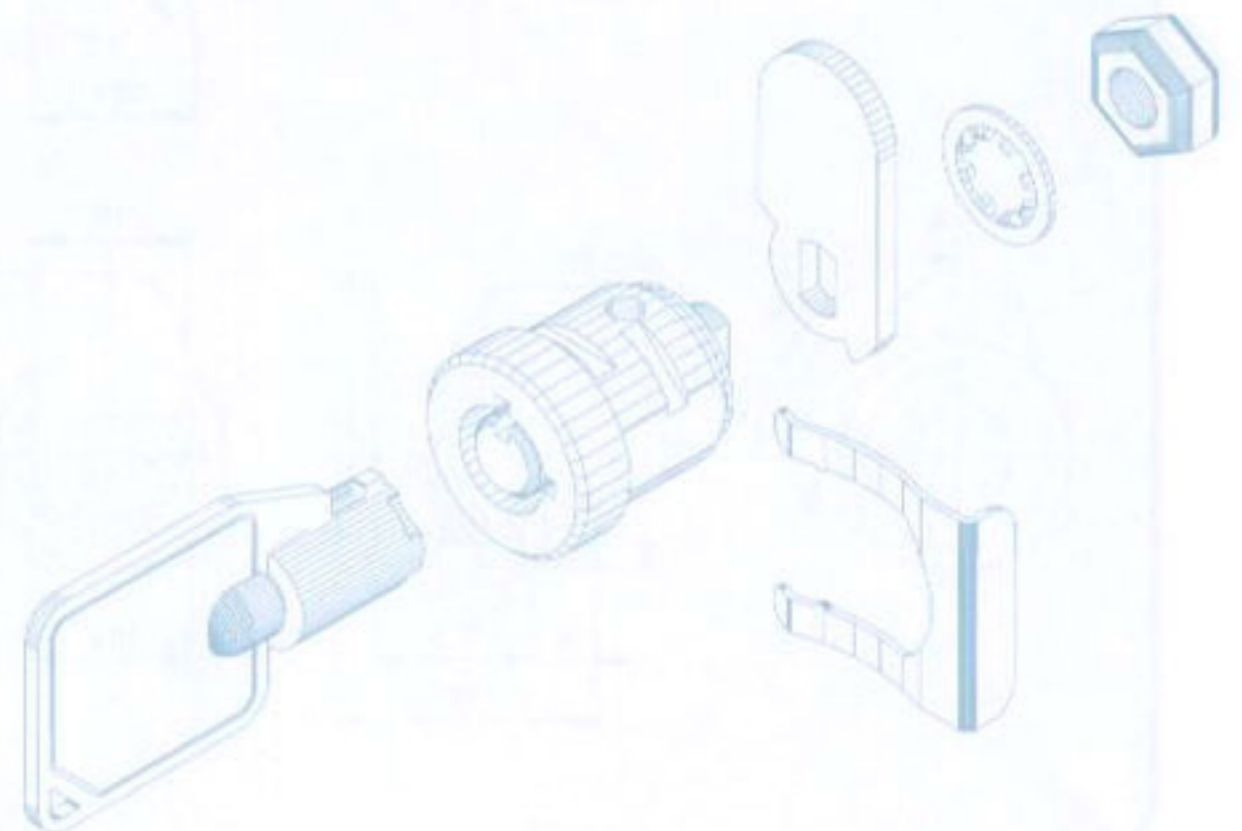
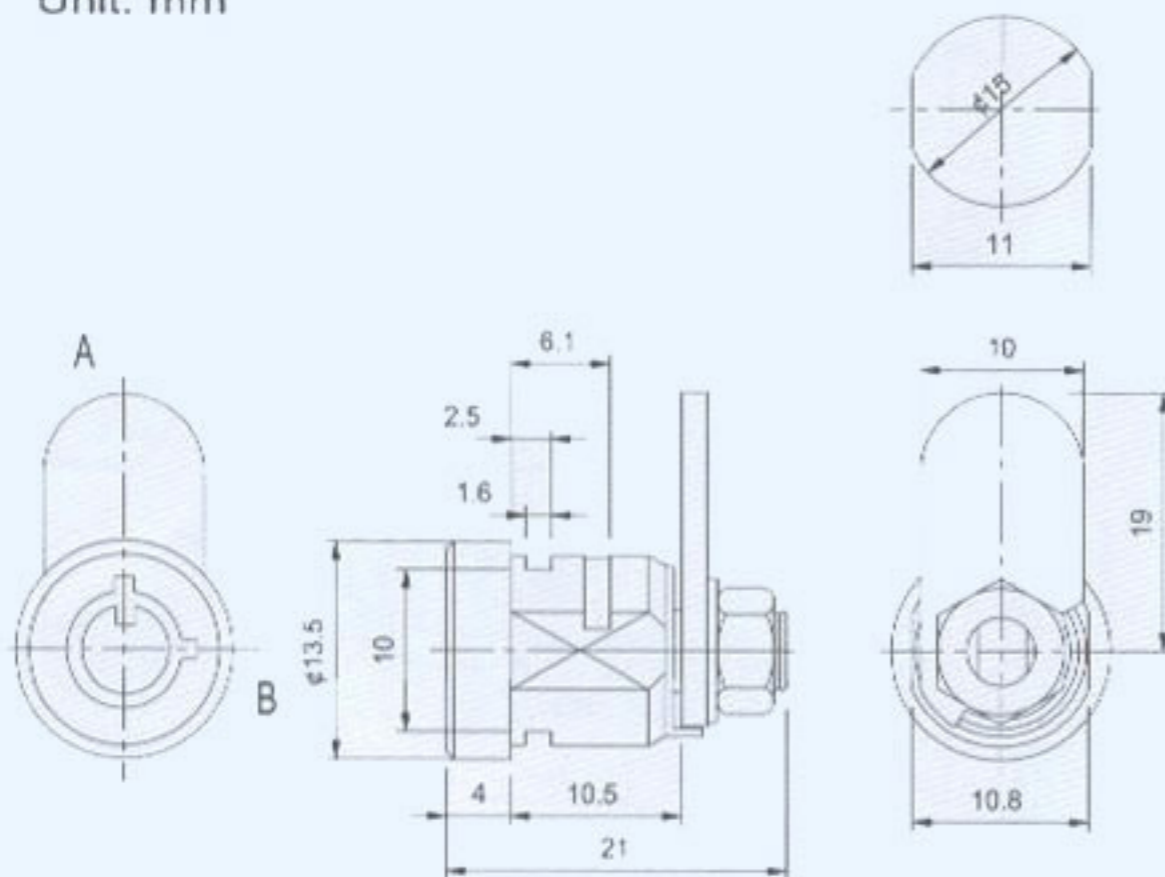


DESCRIPTION

- . Zinc alloy die cast housing and cylinder.
- . Bright chrome plated standard.
- . 4 pin tumbler mechanism.
- . Steel made tubular keys, nickel plated.
- . Key may be withdrawn in one or both positions.
- . Various cam configurations and rotations available.
- . Cam is affixed by nut.
- . Speed clip mounted.
- . All keyed alike or one combination per 100pcs standard.
- . 100 combinations available.

Unit: mm

Recommended hole size



■ -INDICATES KEY-PULL

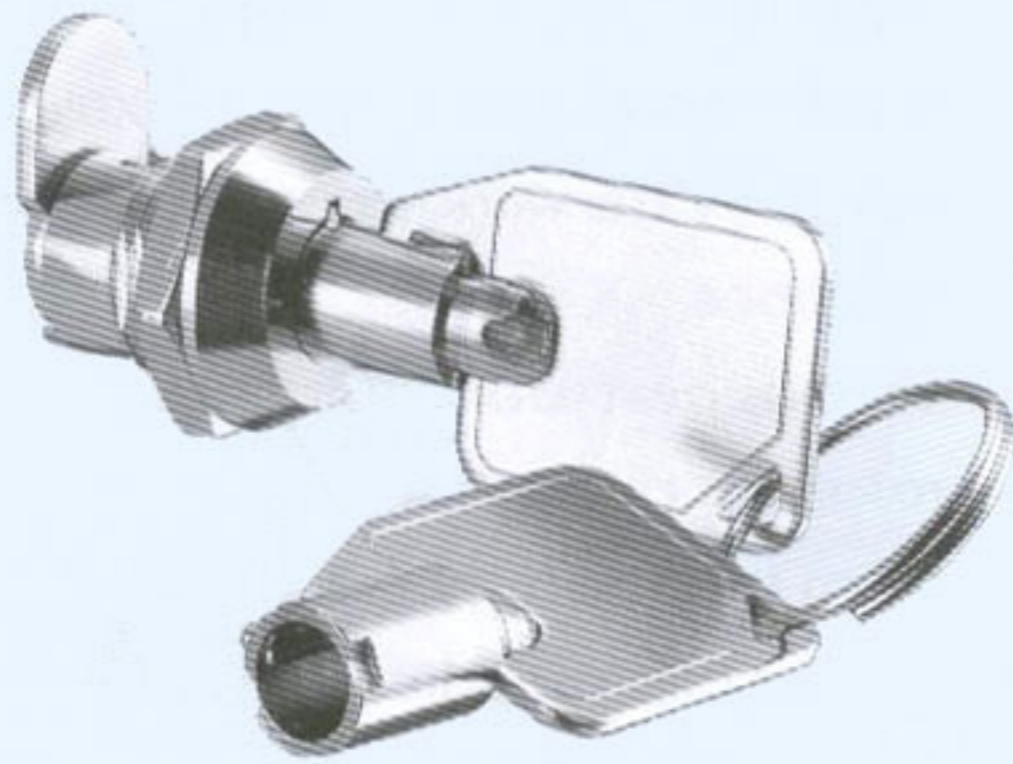
● -INDICATES NO KEY-PULL



Fig.1

Fig No	Lock Number	Positions	Key Pulls	Turn
1	C521ZSP-2	2	2	90°

C525

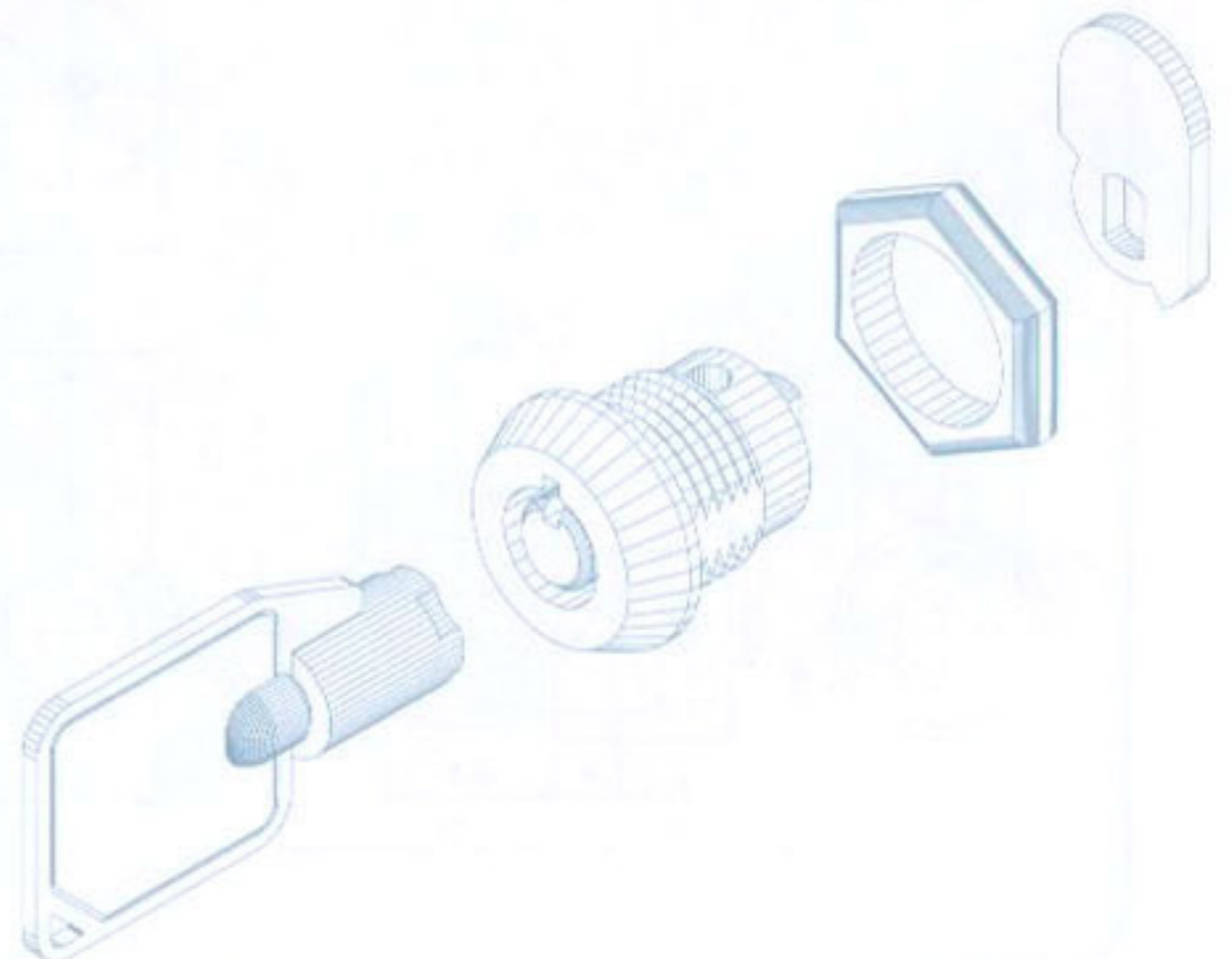
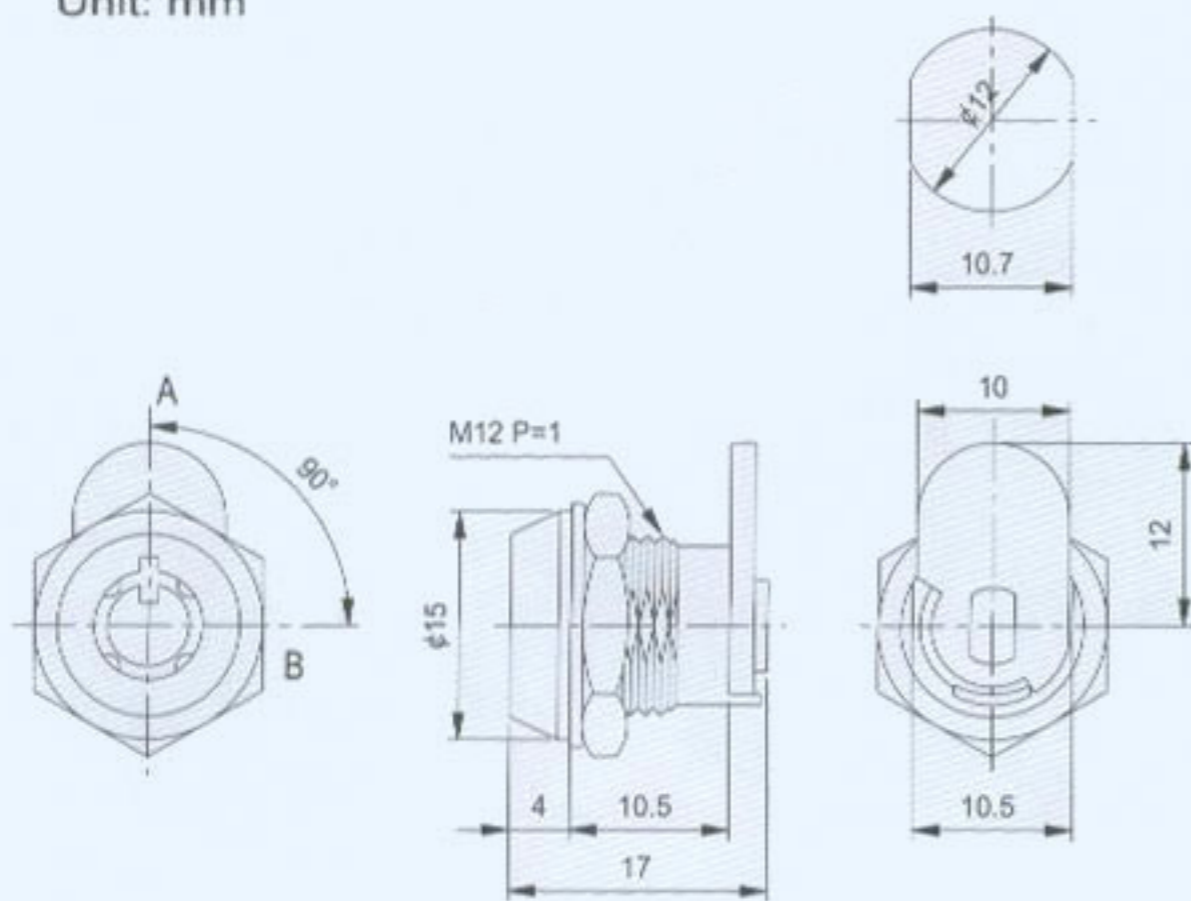


DESCRIPTION

- . Brass housing and zinc alloy die cast cylinder.
- . Bright chrome plated standard.
- . 4 pin tumbler mechanism.
- . Steel made tubular keys, nickel plated.
- . Key may be withdrawn in one or both positions.
- . Various cam configurations and rotations available.
- . Cam is affixed by fixed.
- . Hex nut mounted.
- . All keyed alike or one combination per 100pcs standard.
- . 100 combinations available.

Unit: mm

Recommended hole size



■ -INDICATES KEY-PULL

● -INDICATES NO KEY-PULL



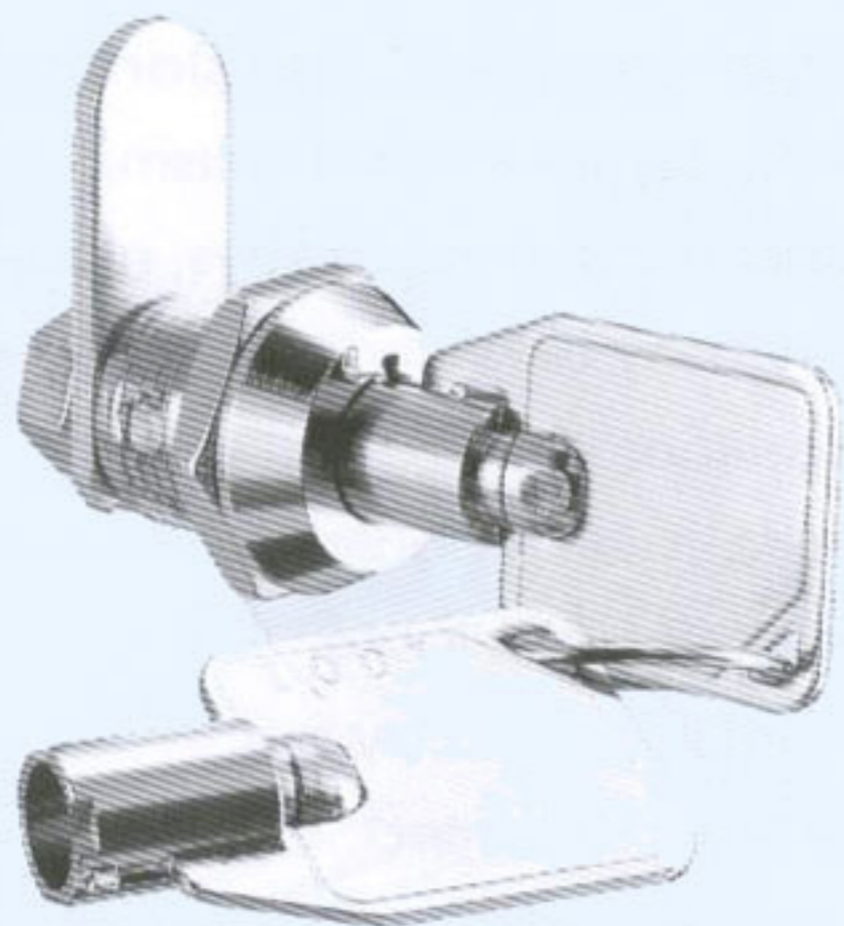
Fig.1



Fig.2

FigNo	LockNumber	Positions	KeyPulls	Turn
1	C525-1	2	1	90°
2	C525-2	2	2	90°

C527

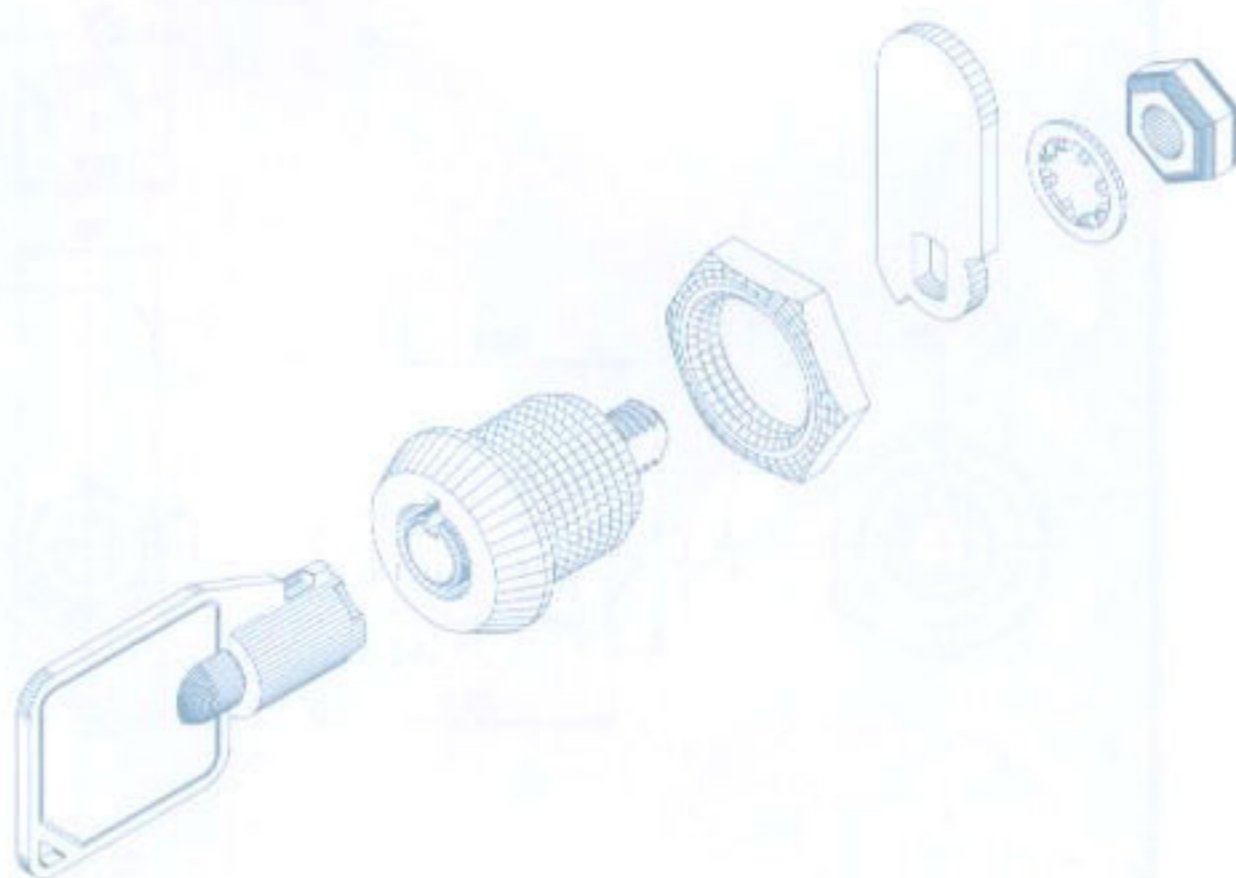
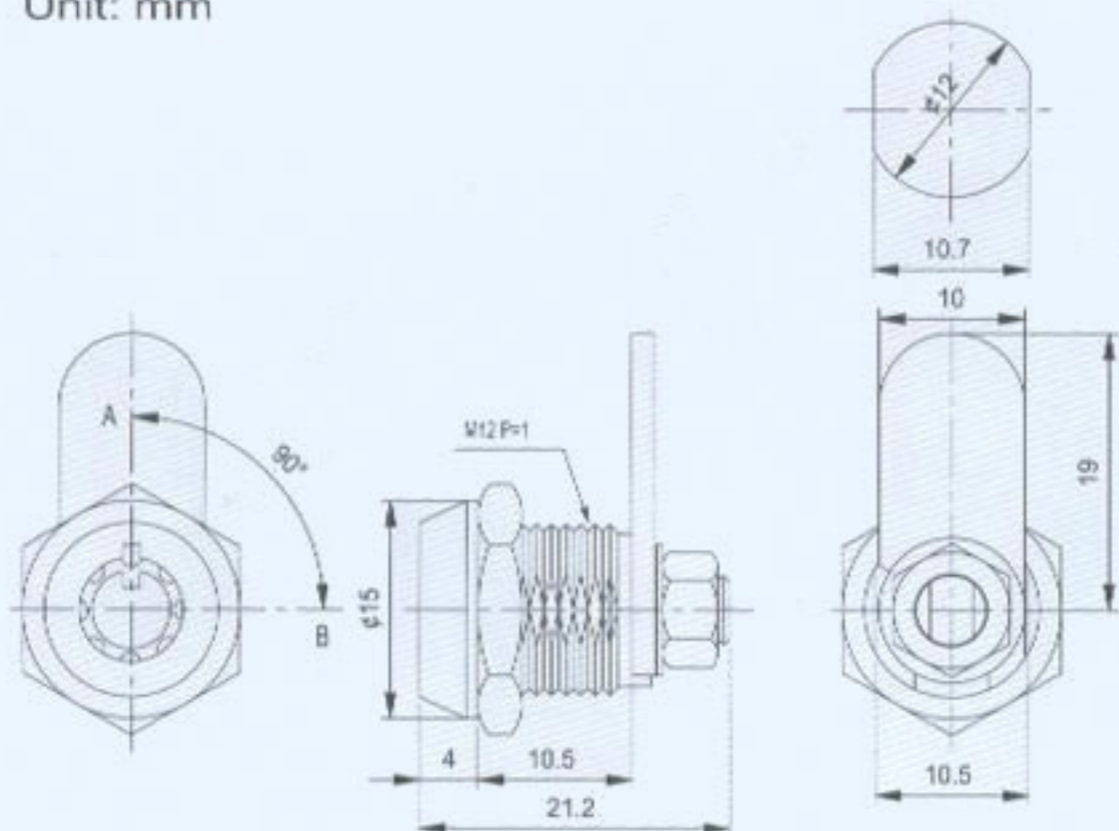


DESCRIPTION

- . Zinc alloy die cast housing and brass cylinder.
- . Bright chrome plated standard.
- . 7 pin tumbler mechanism.
- . Steel made tubular keys, nickel plated.
- . Key may be withdrawn in one or both positions.
- . Various cam configurations and rotations available.
- . Cam is affixed by nut.
- . Hex nut mounted.
- . All key alike or one combination per 100 pcs standard.
- . 5000 combinations available.

Unit: mm

Recommended hole size



■ -INDICATES KEY-PULL

● -INDICATES NO KEY-PULL



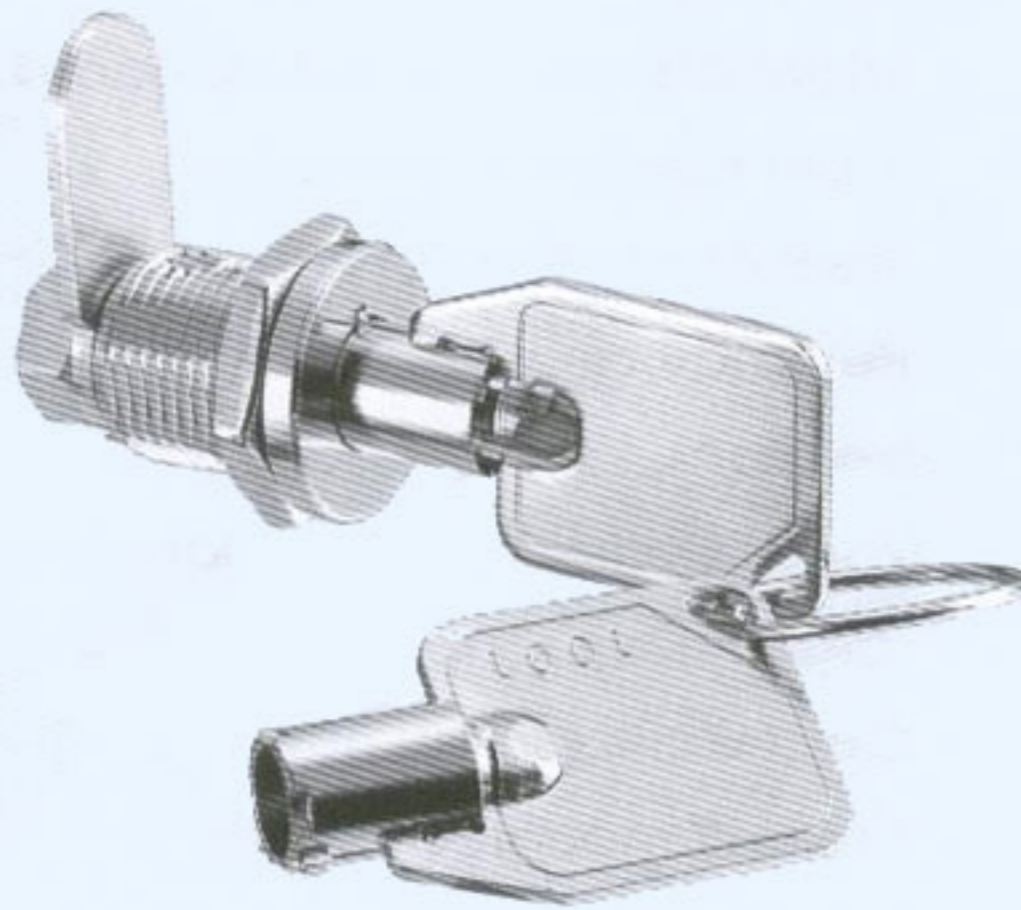
Fig.1



Fig.2

Fig No	Lock Number	Positions	Key Pulls	Turn
1	C527-1	2	1	90°
2	C527-2	2	2	90°

C529

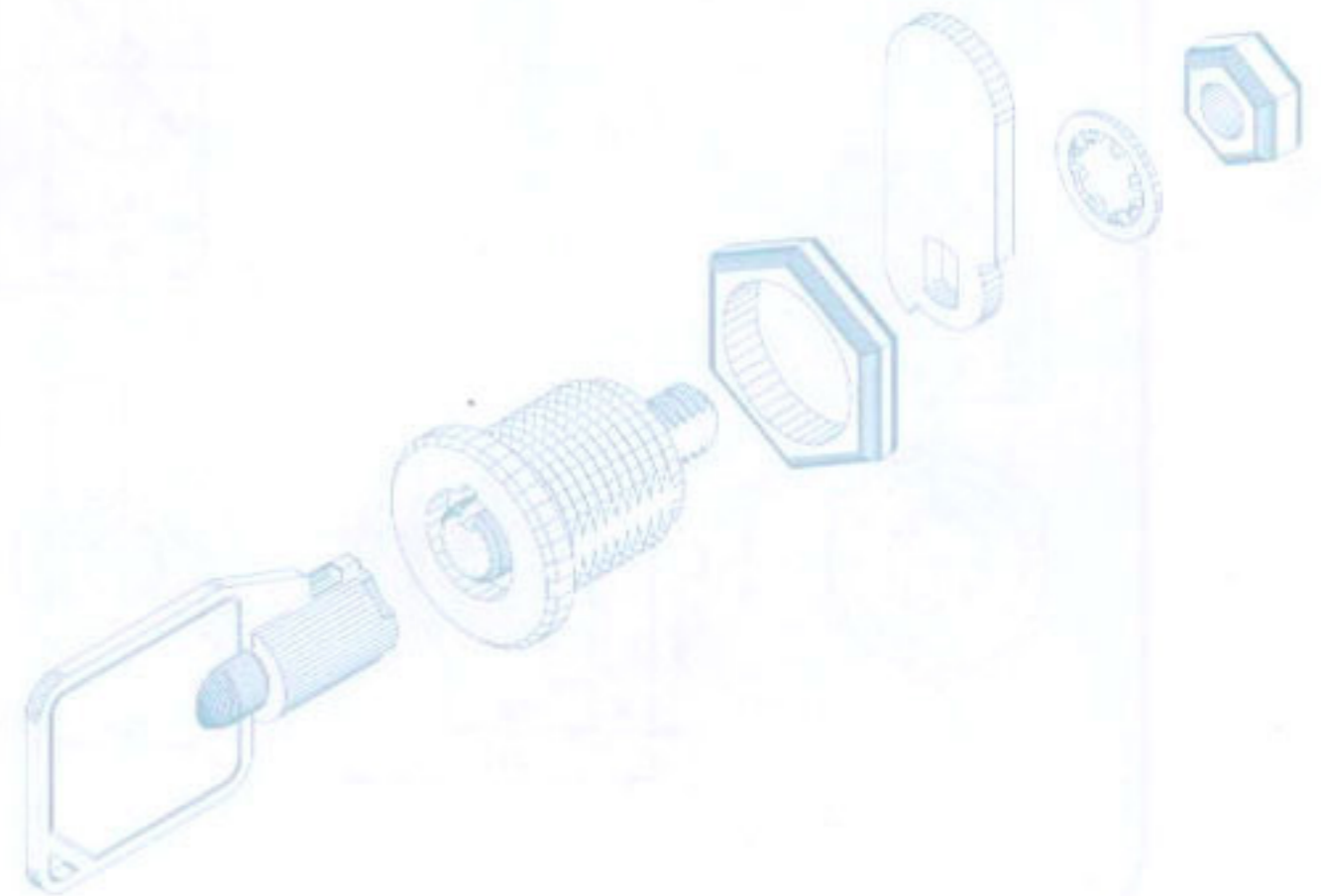
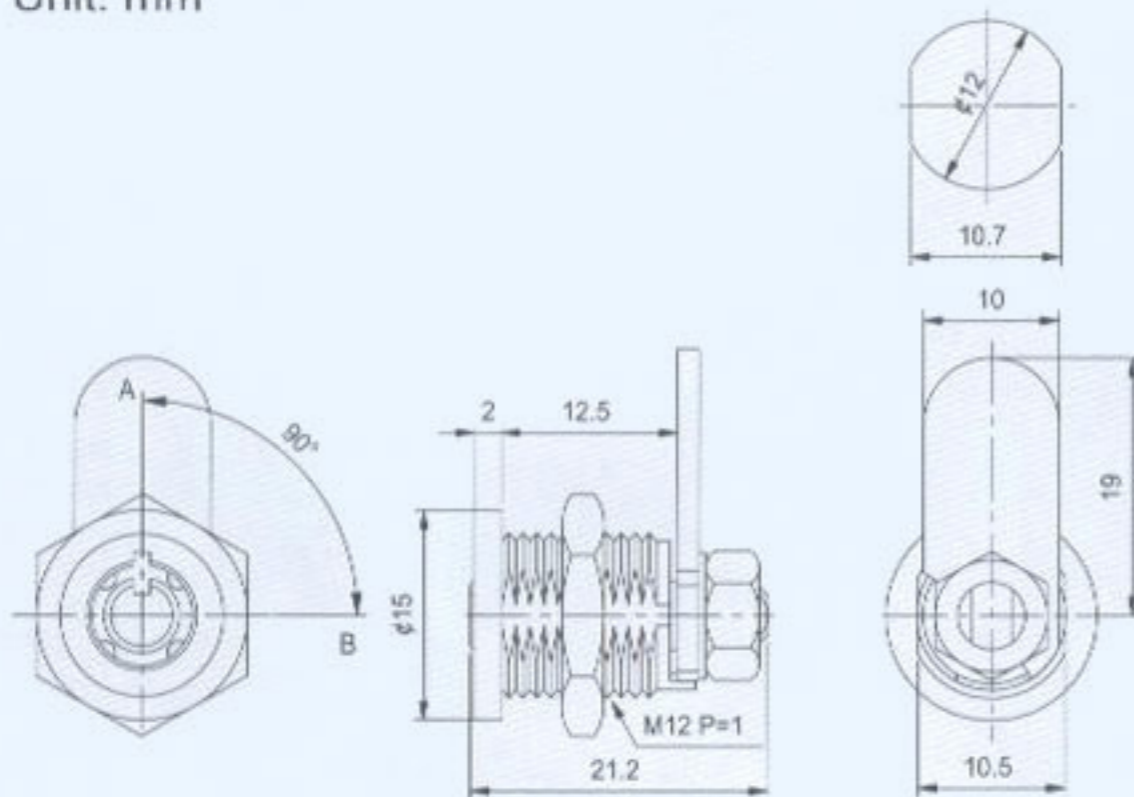


DESCRIPTION

- . Brass housing and cylinder.
- . Bright chrome plated standard.
- . 4 pin tumbler mechanism.
- . Steel made tubular keys, nickel plated.
- . Key may be withdrawn in one or both positions.
- . Various cam configurations and rotations available.
- . Cam is affixed by nut.
- . Hex nut mounted.
- . All keyed alike or one combination per 100pcs standard.
- . 100 combinations available.

Unit: mm

Recommended hole size



■ -INDICATES KEY-PULL

● -INDICATES NO KEY-PULL



Fig.1

Fig.2

Fig No	Lock Number	Positions	Key Pulls	Turn
1	C529-1	2	1	90°
2	C529-2	2	2	90°